

## The Touring Tower - space requirements

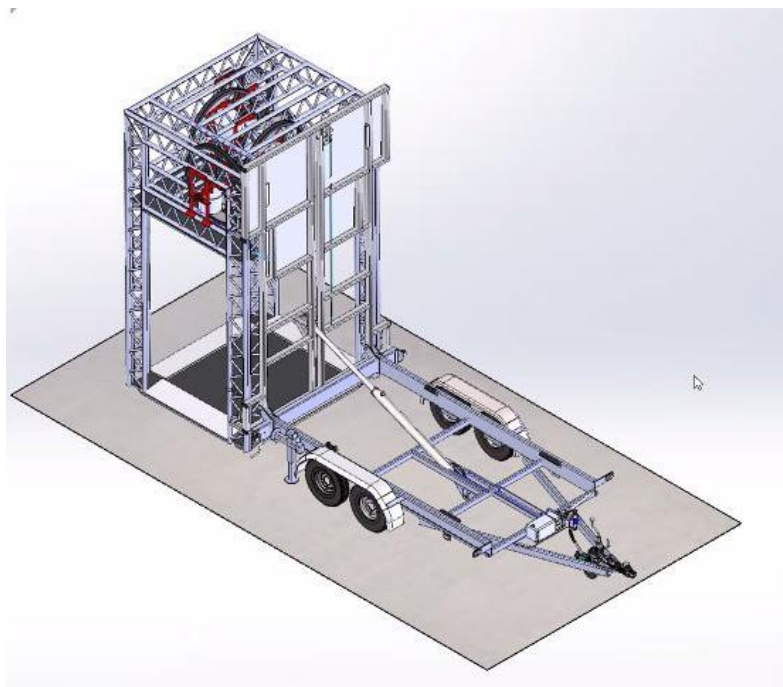
Once erected, the touring tower needs a space of about 5m x 5m, sufficient to accommodate the four outriggers. The tower itself measures 2m x 2.2m

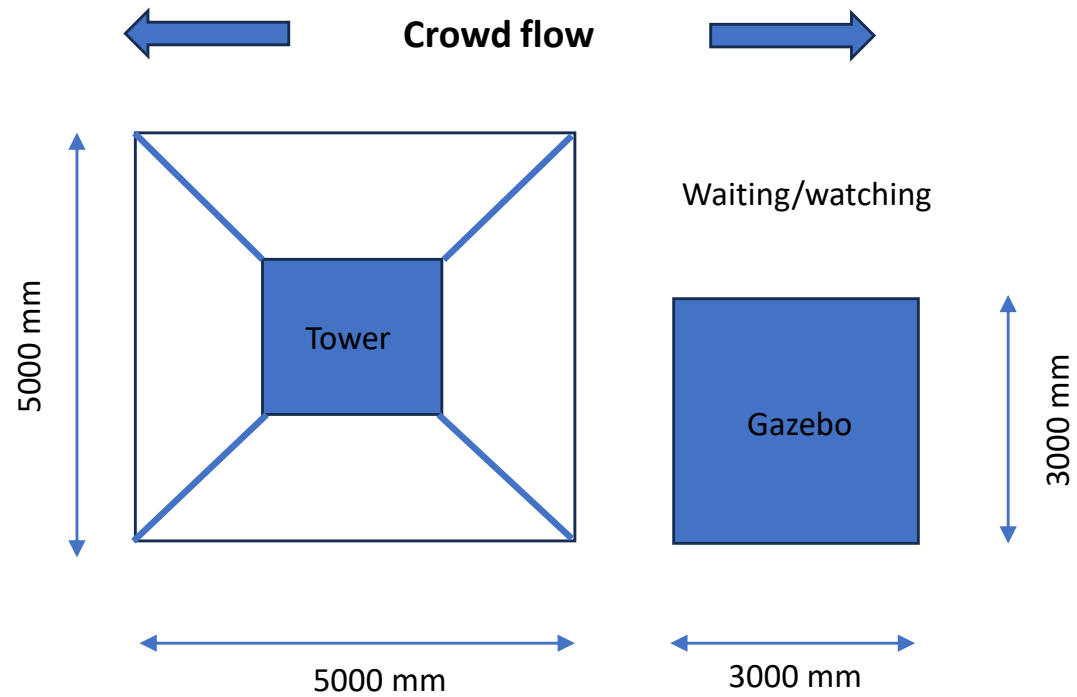
An additional space of at least 8m x 3m is required at the front, rear or side of the pitch for the tow vehicle and trailer to deliver and collect the ring. This could be an access roadway, or path through the event.

If there is insufficient space to store the trailer somewhere at the event, it can be taken off-site.

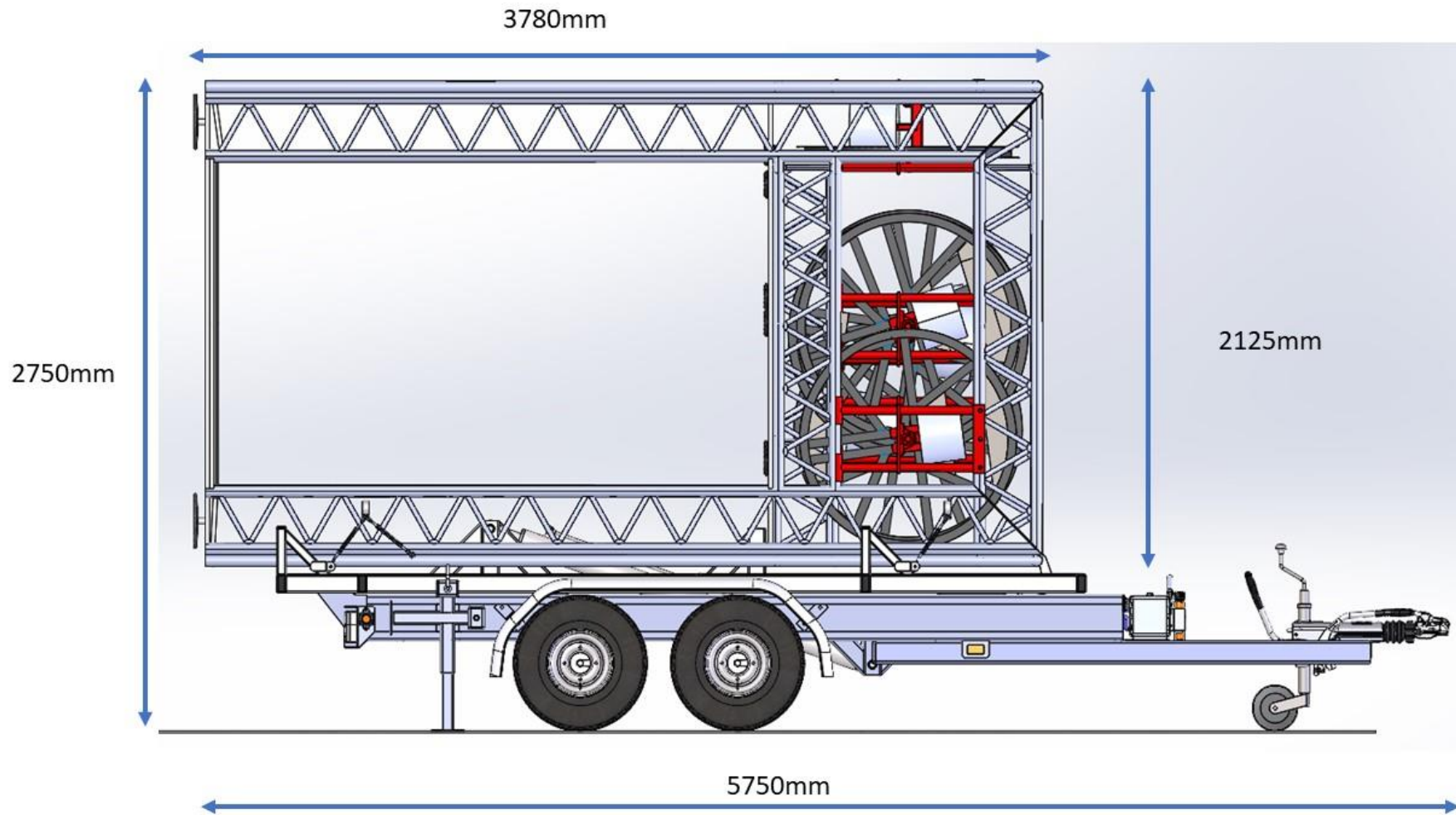
We also have a 3m x 3m pop up gazebo, to accommodate roller banner display material. Hirers may also wish to provide their own tables and chairs for the ringers. This can be positioned alongside or to the rear of the ring.

There is a video of the bells being rung here: [Touring tower video](#)





**The Touring Tower – Suggested layout**



### The touring tower on its trailer

For transport purposes, the overall dimensions are approximately 2750mm high x 2400 wide, x 5750mm long.